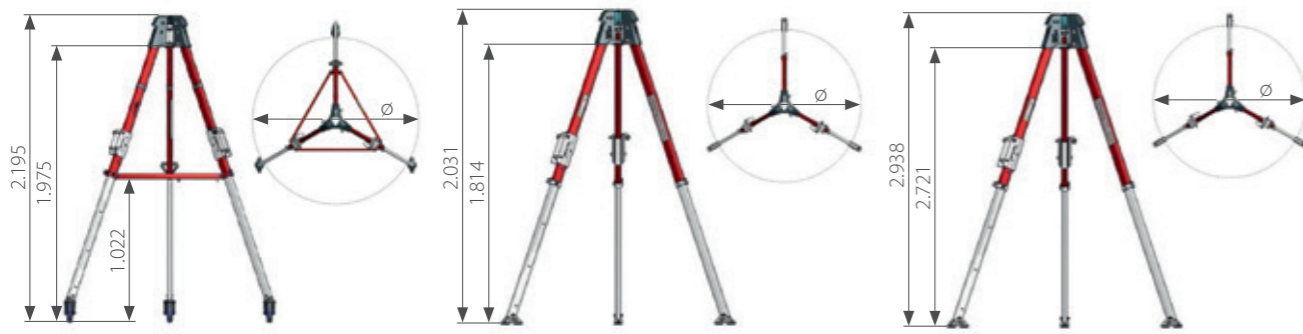


TECHNICAL DATA



www.teamwork-werbung.at

Tripod MOBILE – PRO II		Tripod FIXED – ECO II		Tripod FIXED – ECO II-XL	
Empty weight:	approx. 21,7 kg / approved for 2 people	Empty weight:	approx. 16,3 kg / approved for 3 people	Empty weight:	approx. 20,5 kg / approved for 2 people
Max. load:	500 kg	Max. load:	500 kg	Max. load:	500 kg
Max. height:	2.195 mm	Max. height:	2.031 mm	Max. height:	2.938 mm
Ø max. width:	1.367 mm	Ø max. width:	1.450 mm	Ø max. width:	2.191 mm
Useable working height:	1.975 mm	Useable working height:	1.814 mm	Useable working height:	2.721 mm
Transport dimensions:	1.432 x 310 x 305 mm	Transport dimensions:	1.282 x 300 x 301 mm	Transport dimensions:	1.874 x 300 x 301 mm
Material:	Aluminum, alloy/steel	Material:	Aluminum, alloy/steel	Material:	Aluminum, alloy/steel

Tripod MOBILE – PRO II Tripod FIXED – ECO II



Combined tripod and winch: <ul style="list-style-type: none"> • Load capacity of up to 500 kg • High-tensile, anti-twist, zinc-coated 5-mm steel cable available from 8 to 30 m • Integrated load pressure break holds at a min. 25 kg load 	Combined tripod and HSRG: <ul style="list-style-type: none"> • Suspension point compliant to EN 795: 2012 / TS 16415 • HSRG compliant to EN 360 and EN 1496 • Approved by TÜV SÜD accordance with the EC type test certificate as personal protection equipment to prevent falling from great heights
TÜV SÜD-certified suspension point Type B to EN 795: 2012 / TS 16415	CE compliant
Specially designed "Easy" attachment enables the Lechtaler GmbH MARTIN PSA fall arrest and recovery block to be assembled in a matter of seconds	

We reserve the right for technical changes. Every picture is a symbolic and no liability is taken for pictured applications. See user instruction menu! Lechtaler GmbH taking no liability for improper use and handling.

LECHTALER GMBH MARTIN PSA AND ENVIRONMENT

We follow in all our production chains ecological processes and environmentally compatible ways of production. All parts are recyclable.

Lechtaler GmbH MARTIN PSA

LECHTALER GMBH
Flotzbachstraße 33
6922 Wolfurt
Austria
T +43 (0) 55 74 74 000
office@martin-psa.at
www.martin-psa.at



Presented by:

Lechtaler GmbH

MARTIN PSA

Fall Protection and Rescue Equipment

Tripod MOBILE – PRO II
Tripod FIXED – ECO II
Tripod FIXED – ECO II-XL

- An intelligent and mobile safety system for securing and rescuing people.
- Lifting loads up to 500 kg
- Corresponds to EN 795 and TS 16415
- Surprisingly light, flexible and compact
- Simple and fast assembly
- Compact fold up
- Developed, designed and produced by Lechtaler GmbH MARTIN PSA

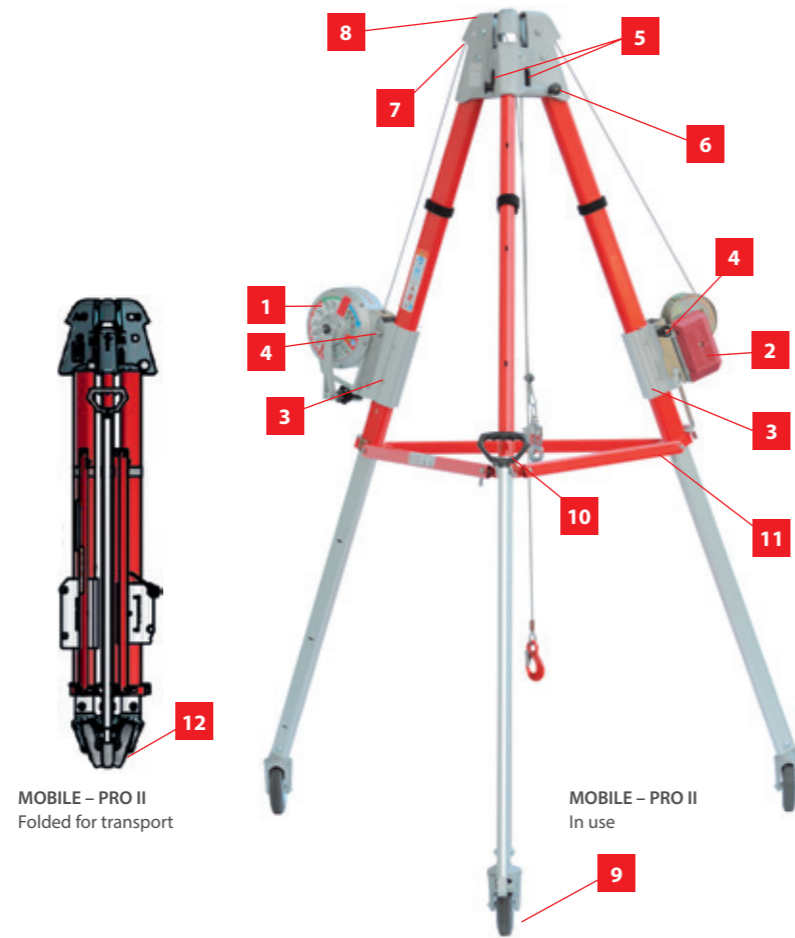
www.martin-psa.at

Our Highlight
compact
flexible
ultra-light



Our new design offers the following benefits:

- 1** Fall arrest and personal rescue winch
- 2** With "Easy" adapter
- 3** standardized accessories, user friendly "Easy" adapters for HSRG and material winch
- 4** Secure connecting bolts
- 5** Two additional suspension points (1x person, 1x load)
- 6** Secure locking bolts for tripod system set up
- 7** Integrated roller bearings
- 8** Advanced steel rope guiding system
- 9** Steering wheel with wheel break
- 10** Steering wheel with drawbar
- 11** Horizontal strut with fall bar
- 12** Legs for Modell ECO II and ECO II-XL
Rolls for Modell PRO II



CONSTRUCTION DETAILS



Secure people



Securing person at man-hole entry with HSRG and supervising person

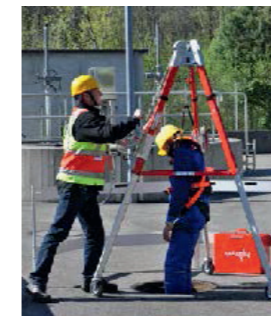


Upright body posture during rescue (use Sling-Set)



Bent body posture and difficult rescue (without Sling-Set)

Rescue people



Rescue with HSRG



Drive off the danger zone



Lay down the rescued person

Lift and transport loads



Loosen, lift and drive of manhole covers (max. 500 kg) with winch



Lift a pump with chain gripper



CARRIER BAG

For Tripod Mobile - PRO II, Fixed - ECO II and ECO II-XL

Carrier handles at center back and front

Zip lock

Inner compartment for material winch

Robust and practical gear carrier and storage

Lechtaler GmbH
MARTIN PSA
Design
Construction
Manufacture

FURTHER ADVANTAGES

- Clear and functional design
- Reinforced torsion-resistant aluminum profile
- No line suspension in floor area needed (no trip hazard)
- More working height
- Full "Easy" adapter compatibility to all Lechtaler GmbH MARTIN PSA models
- Less cost for maintenance and spare parts